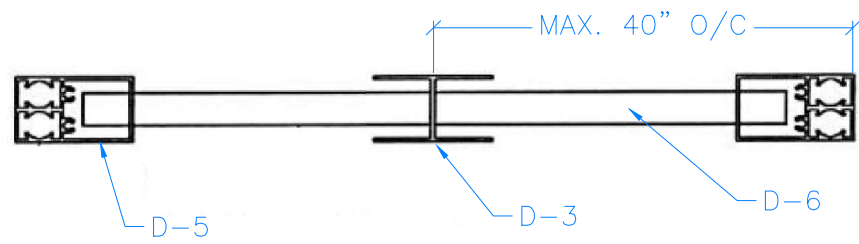
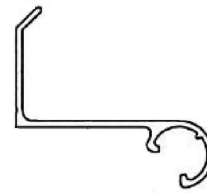


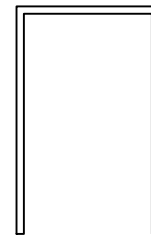
**TOP VIEW SECTION
FIXED & ADJUSTABLE SHUTTER**



**D-1
FEMALE HINGE**



**D-2B
TOP/BOTTOM RAIL**



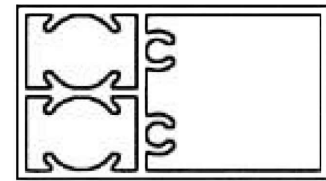
**D-4
CAMEL BACK HINGE**



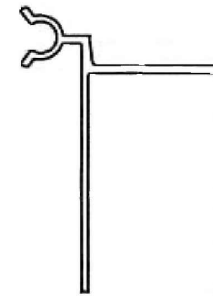
**D-6
2" HOLLOW BLADE**



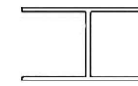
**D-5
OVAL BLADES SIDE RAIL**



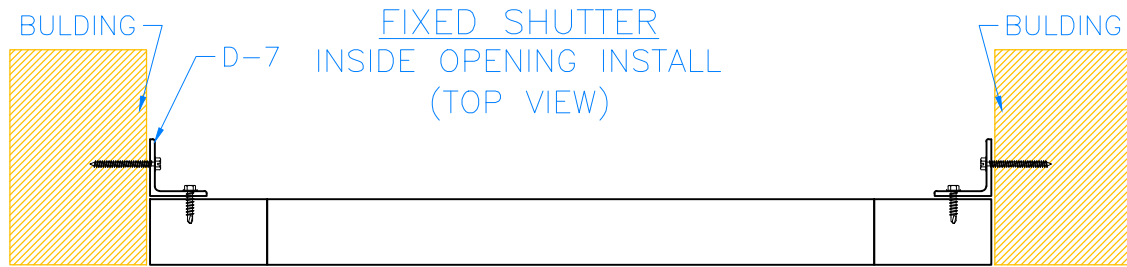
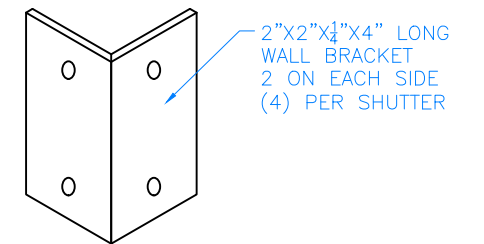
**D-2
CHANNEL W/ MALE HINGE**



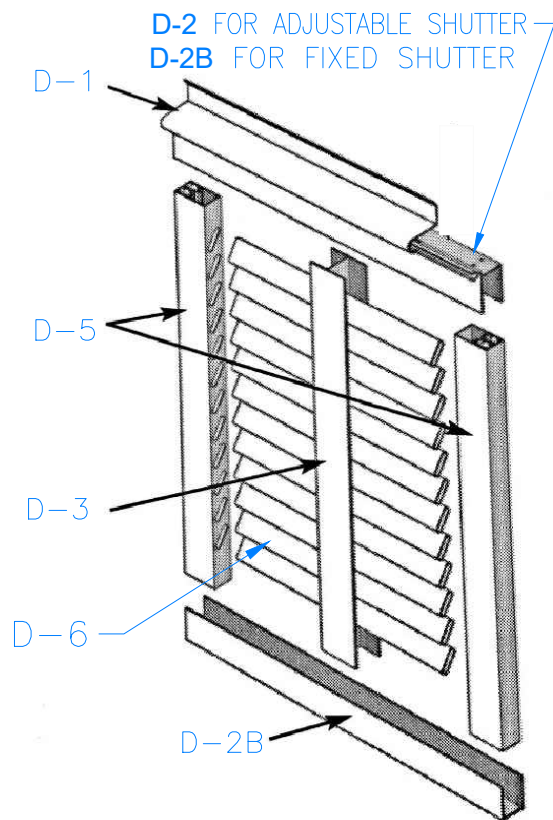
**D-3
CENTER MULLION**



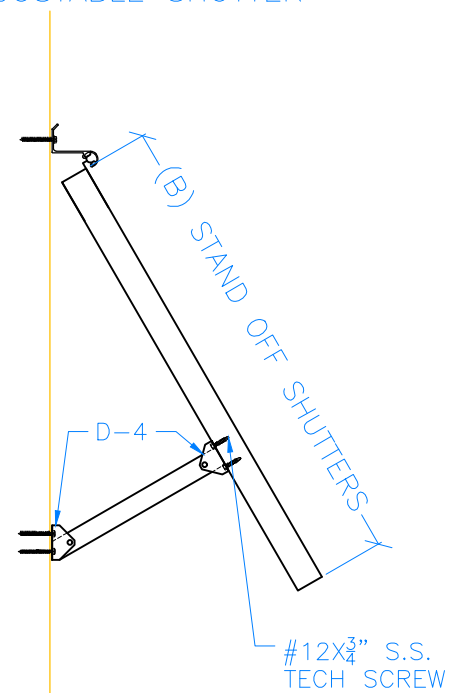
**D-7
WALL BRACKET**



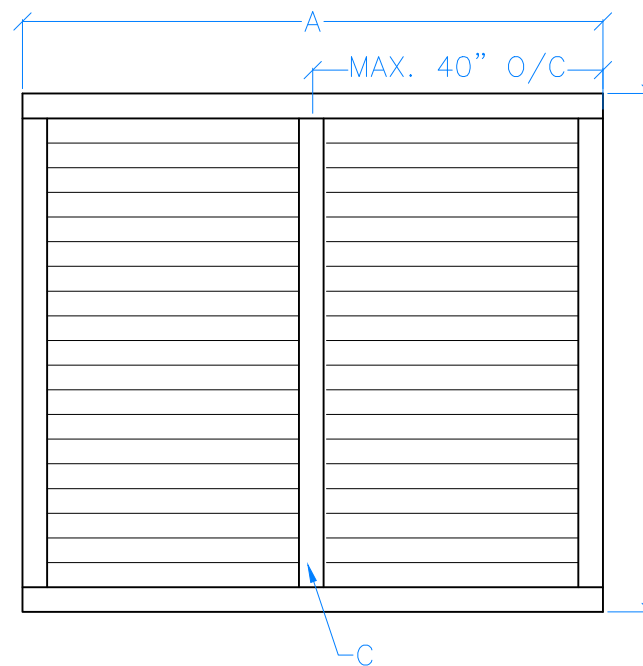
**ISOMETRIC VIEW
TYPICAL SHUTTER
ASSEMBLY**



**SIDE VIEW
FOR ADJUSTABLE SHUTTER**



FRONT VIEW



<p>OUTSTANDING SERVICE IS THE NEW MARKETING</p>	5107 Australian Avenue West Palm Beach, FL 33407 Ph. 954-541-9745 Fax. 561-469-1774	Drawn By: _____ Date: _____ Revised: _____ Scale: N.T.S. Sheet: 1 of 1	Sales Person: _____ JOB - #: _____ THIS DRAWING IS PROPERTY OF DATUM AND SHALL NOT BE ALTERED, REPRODUCED OR USED IN ANY FORM WITHOUT WRITTEN PERMISSION FROM DATUM.	Customer: _____ Address: _____	MODEL: _____ MATERIAL: _____ FASCIA: _____ BODY: _____	ARMS: - MOUNTING PLATE: - PAINT: STANDARD POWDER COAT 5 YEAR WARRANTY COLOR: TBD	PLANS APPROVED BY: _____ SIGNATURE: _____ DATE: _____	FABRICATOR SIGN OFF: _____ FABRICATOR SIGN OFF: _____
--	--	--	--	-----------------------------------	---	---	---	--