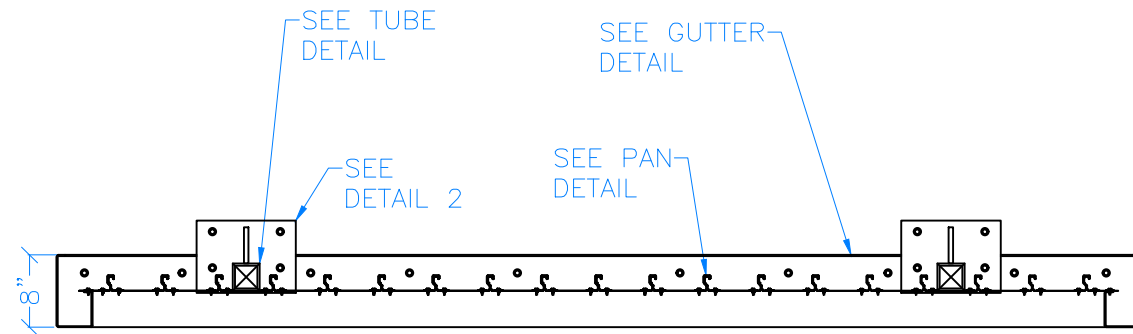
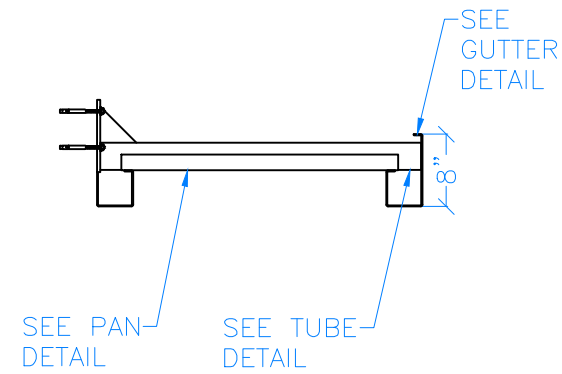


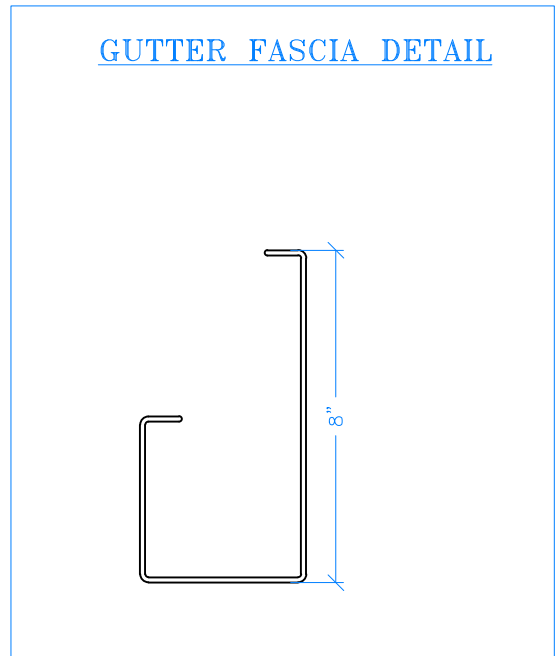
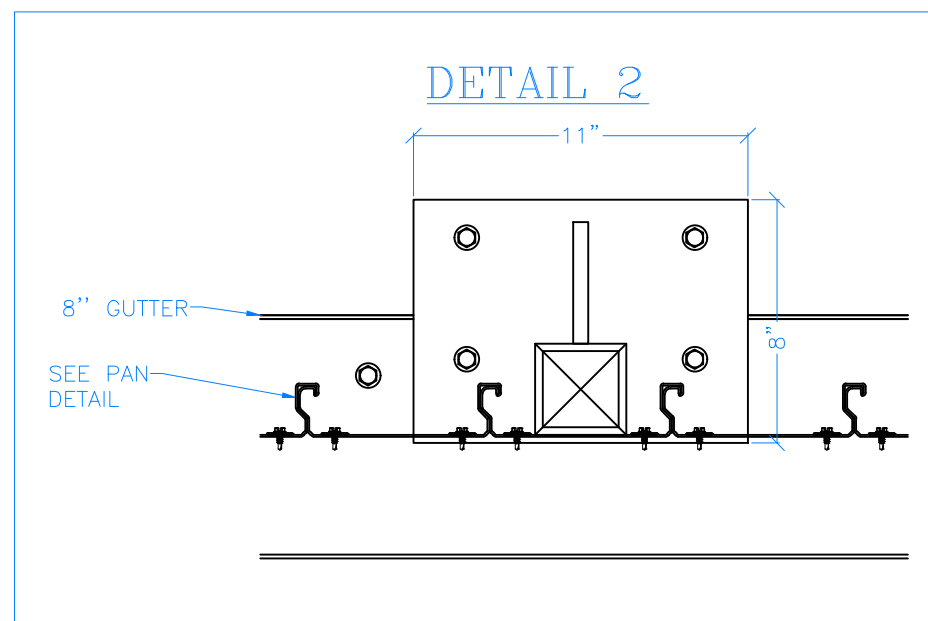
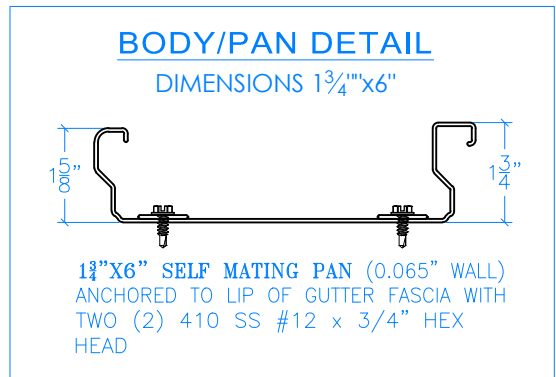
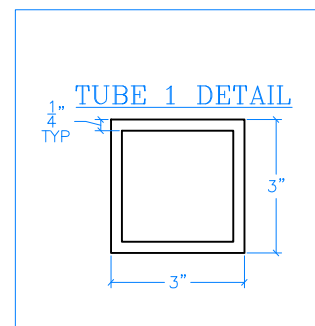
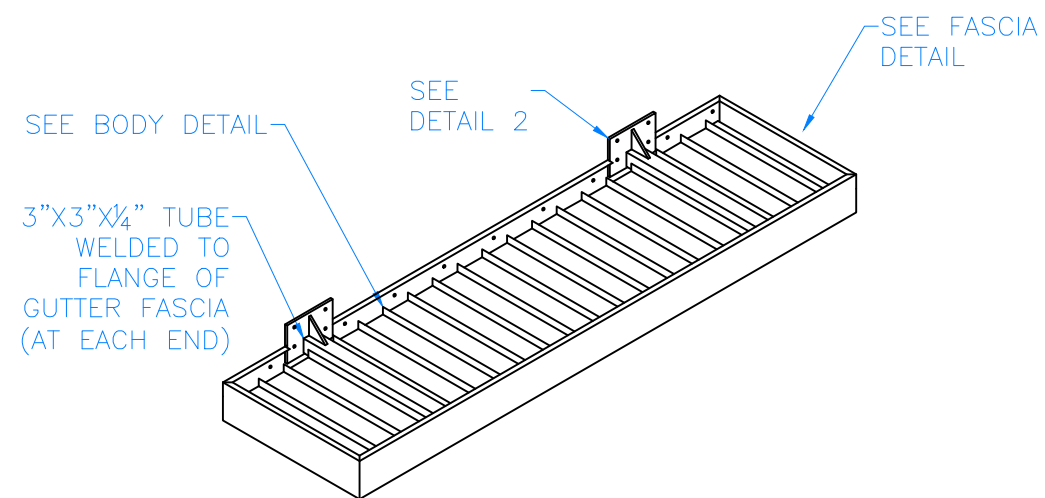
FRONT SECTION VIEW



SIDE SECTION VIEW



ISOMETRIC VIEW



<p>5107 Australian Avenue West Palm Beach, FL 33407 Ph. 954-541-9745 Fax. 561-469-1774</p> <p>OUTSTANDING SERVICE IS THE NEW MARKETING</p>	Drawn By: Date: Revised:	Sales Person: JOB - #:	Customer: Address:	MODEL: PLEXUS MATERIAL: ALUMINUM FASCIA: 8" GUTTER BODY: SELF MATING PANS	ARMS: - MOUNTING PLATE: - PAINT: STANDARD POWDER COAT 5 YEAR WARRANTY COLOR: TBD	PLANS APPROVED BY: SIGNATURE: DATE:	FABRICATOR SIGN OFF:	
	Scale: N.T.S. Sheet: 1 of 1	THIS DRAWING IS PROPERTY OF DATUM AND SHALL NOT BE ALTERED, REPRODUCED OR USED IN ANY FORM WITHOUT WRITTEN PERMISSION FROM DATUM.						
							FABRICATOR SIGN OFF:	
							FABRICATOR SIGN OFF:	