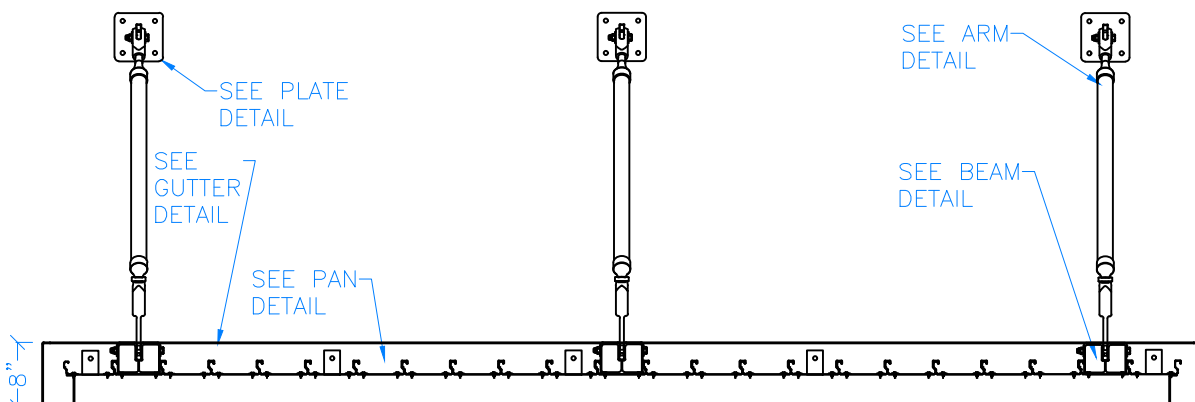
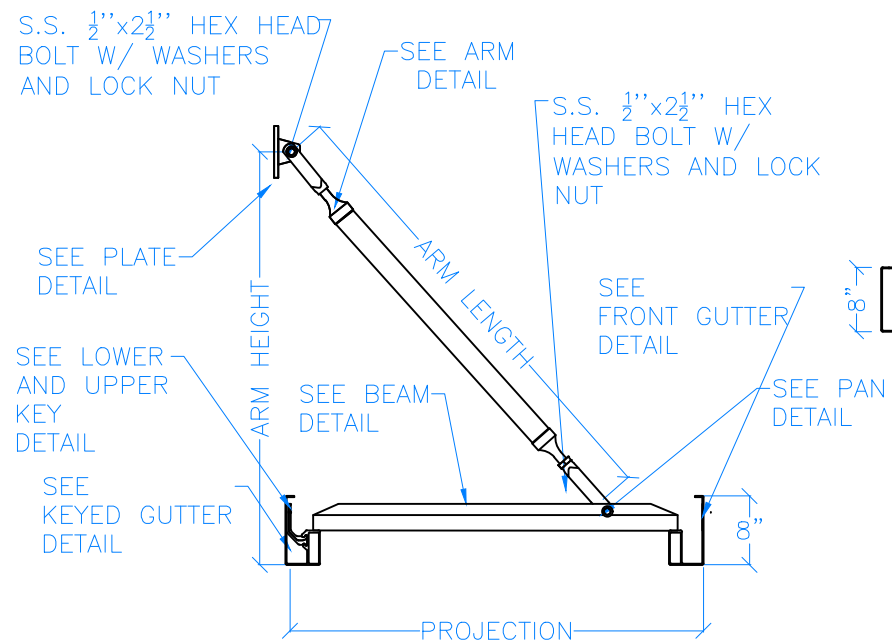


FRONT SECTION VIEW

SIDE SECTION VIEW



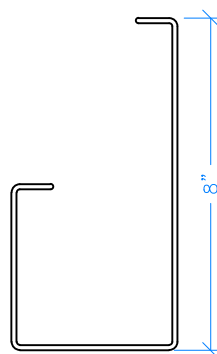
LOWER KEY



UPPER KEY

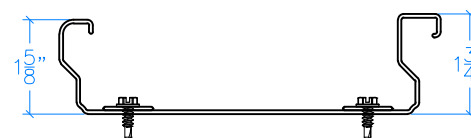


GUTTER FASCIA DETAIL SIDE GUTTER



BODY/PAN DETAIL

DIMENSIONS 1 3/4" x 6"



1 3/4" X 6" SELF MATING PAN (0.065" WALL) ANCHORED TO LIP OF GUTTER FASCIA WITH TWO (2) 410 SS #12 x 3/4" HEX HEAD

CANOPY CONNECTION DETAIL 1

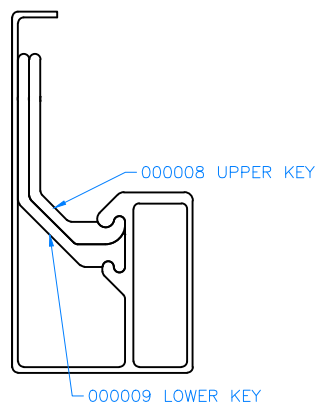
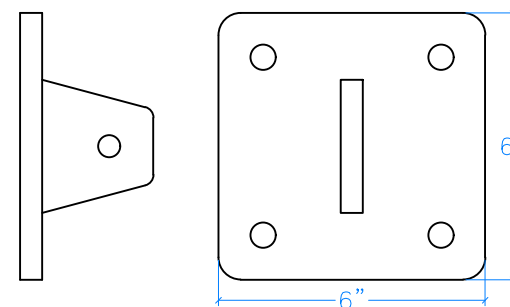
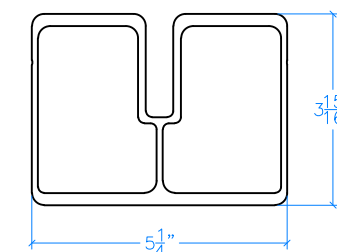


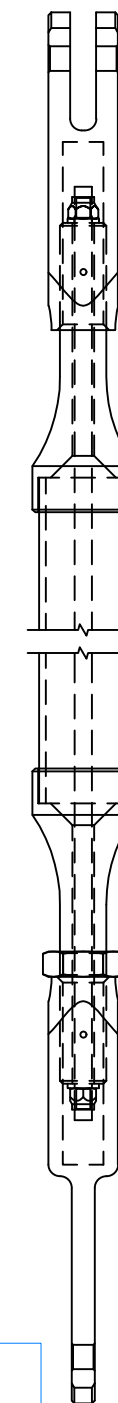
PLATE DETAIL



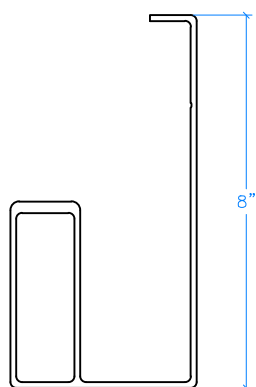
BEAM



ARM 1 DETAIL



FRONT GUTTER



KEYED GUTTER

