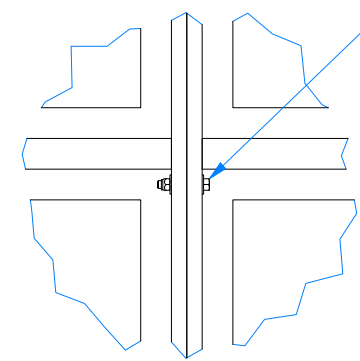


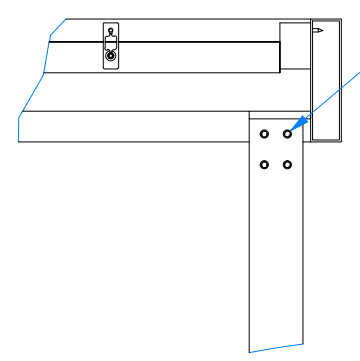
8 7 6 5 4 3 2 1

4X ATTACH TRELLIS HALVES TOGETHER WITH  
(1) 1/2"X3" SS HEX BOLT, (2) SS FLAT WASHERS  
AND (1) SS LOCK NUT.



DETAIL A

10X ATTACH POST ASSY TO STUB ASSY  
WITH (4) 1/4"X1.5" SS HEX BOLTS  
AND (4) WASHERS

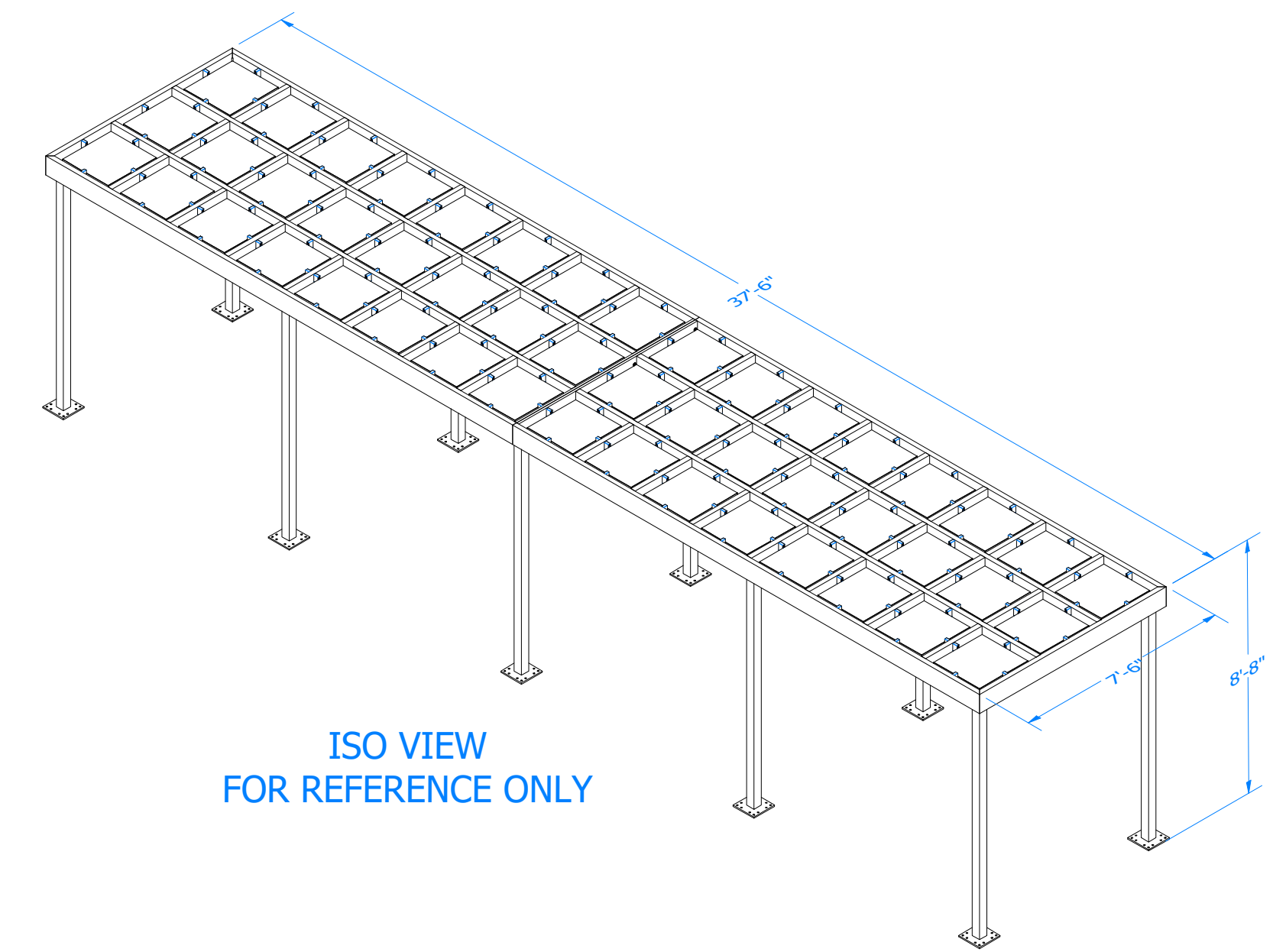
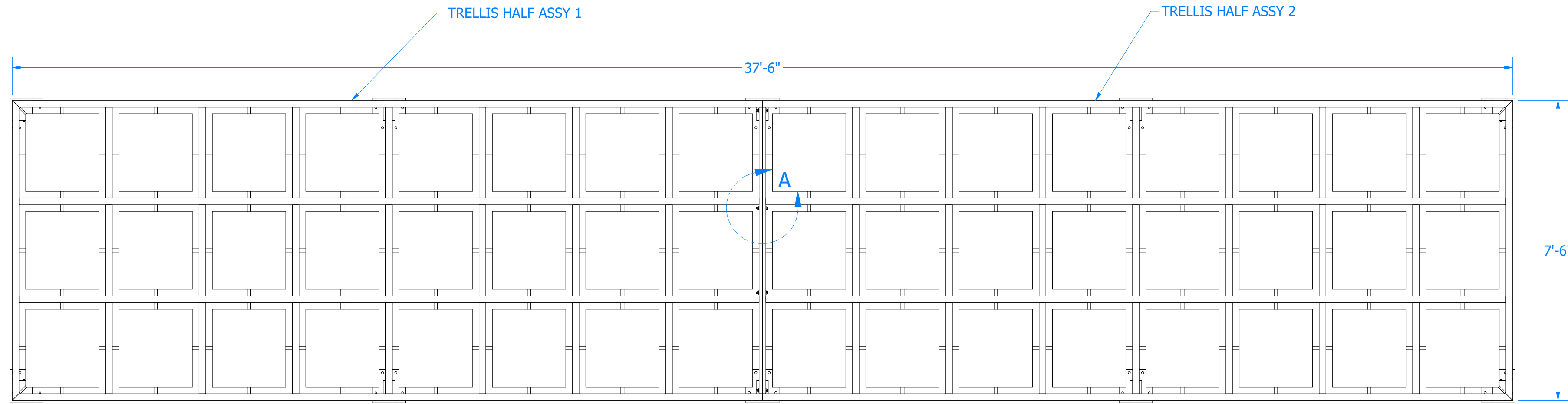


DETAIL B

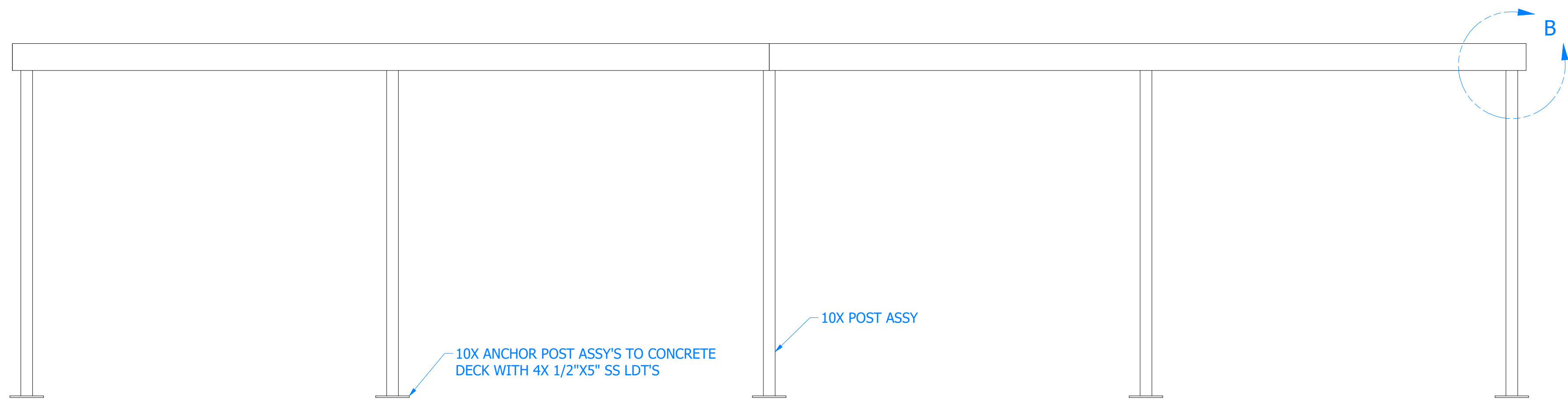
SOME ITEMS HIDDEN FOR CLARITY

TRELLIS HALF ASSY 1

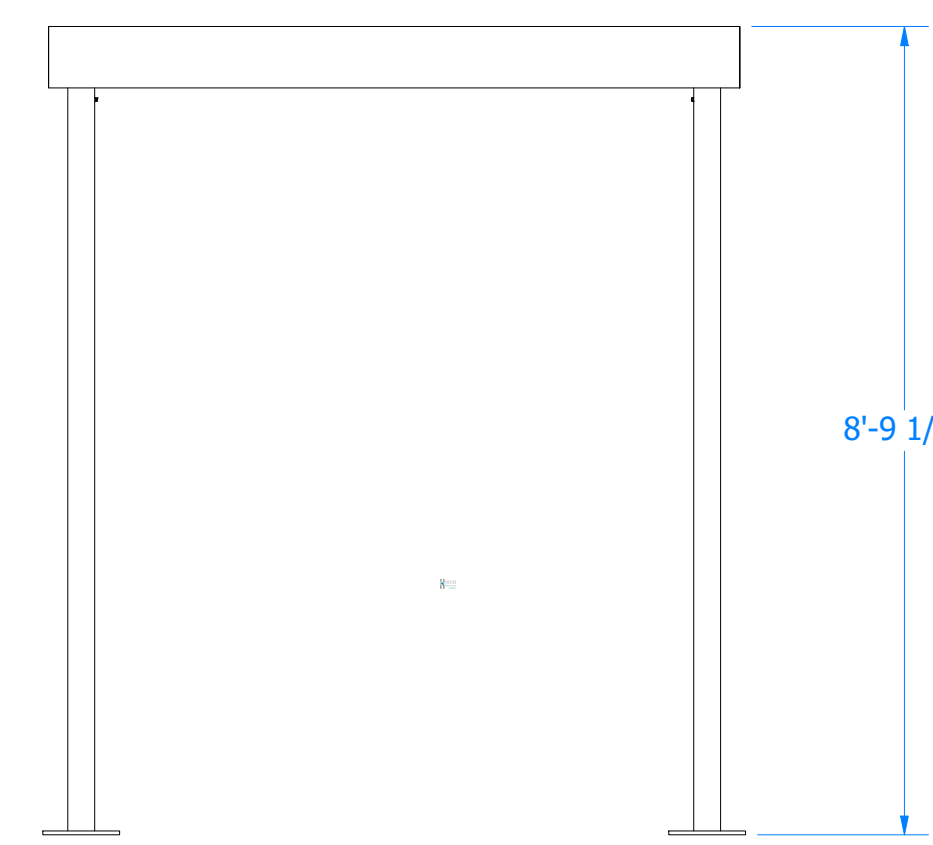
TRELLIS HALF ASSY 2



ISO VIEW  
FOR REFERENCE ONLY



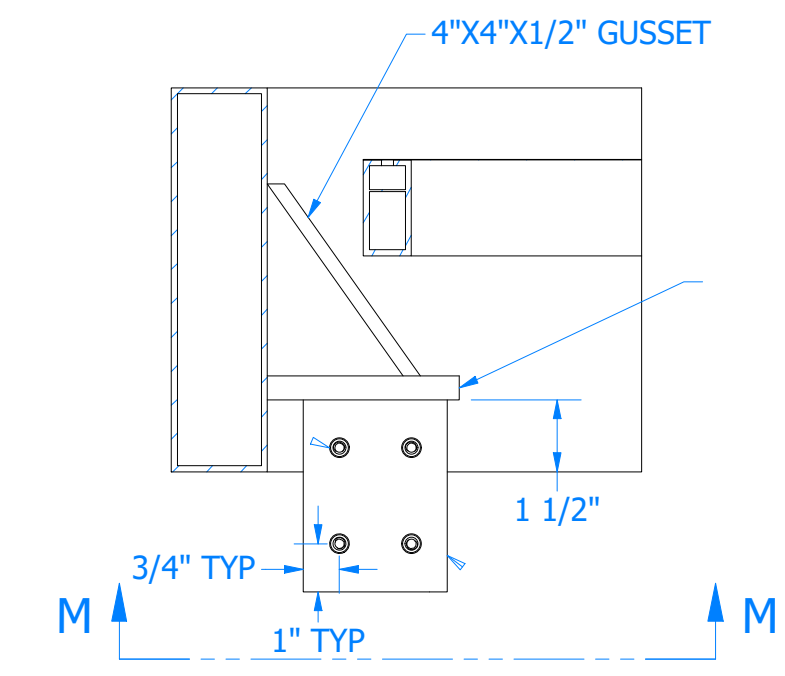
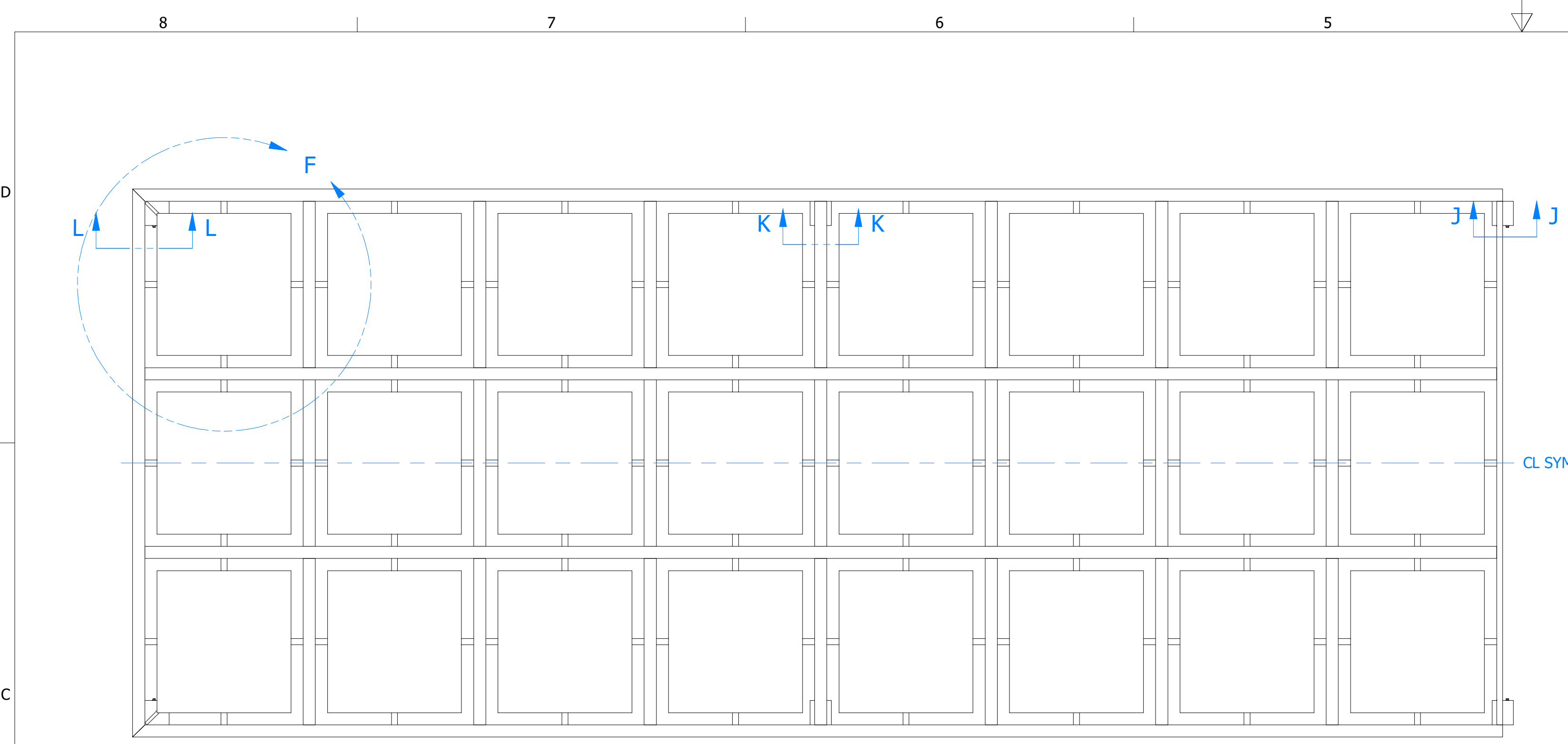
TRELLIS ASSY



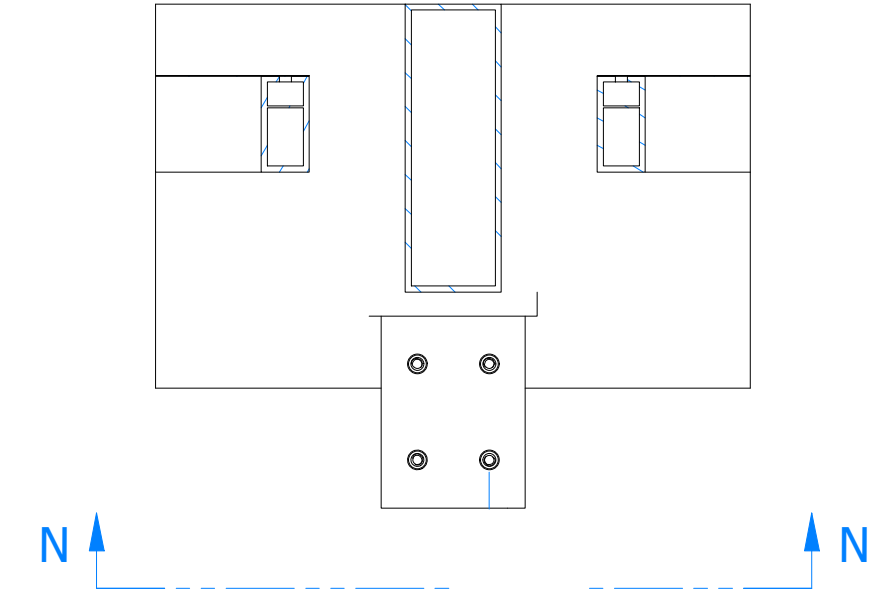
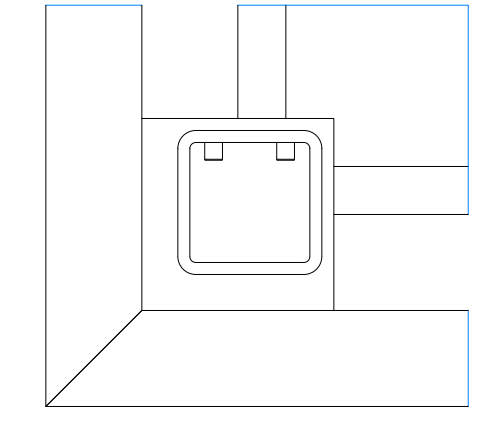
8'-9 1/4"

8 7 6 5 4 3

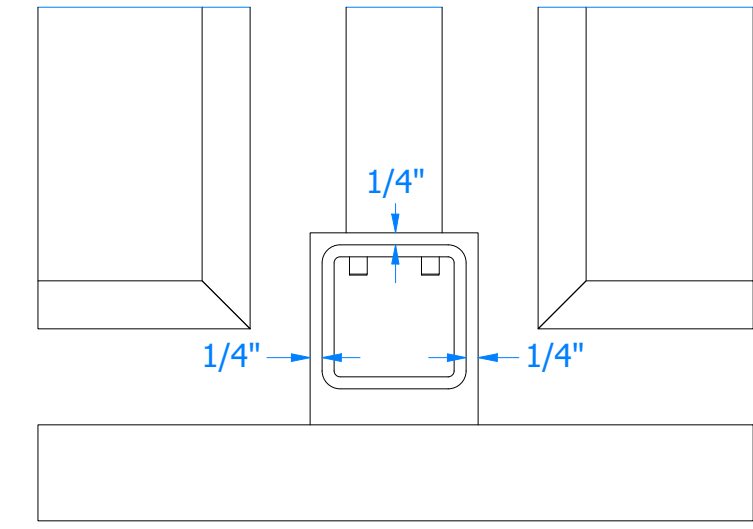




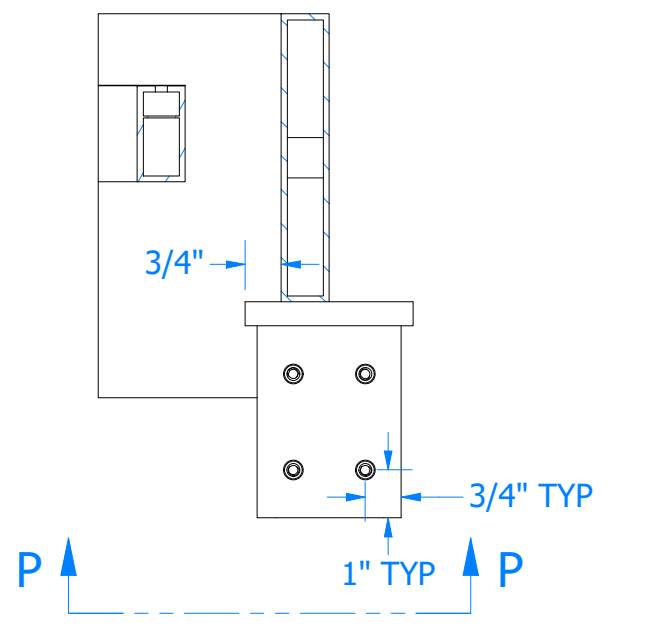
SECTION L-L



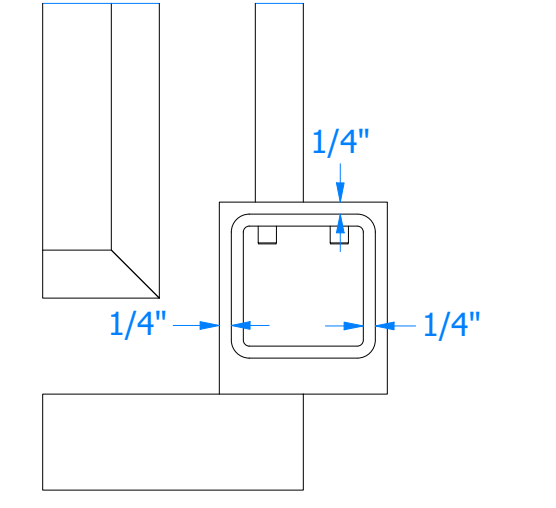
SECTION K-K



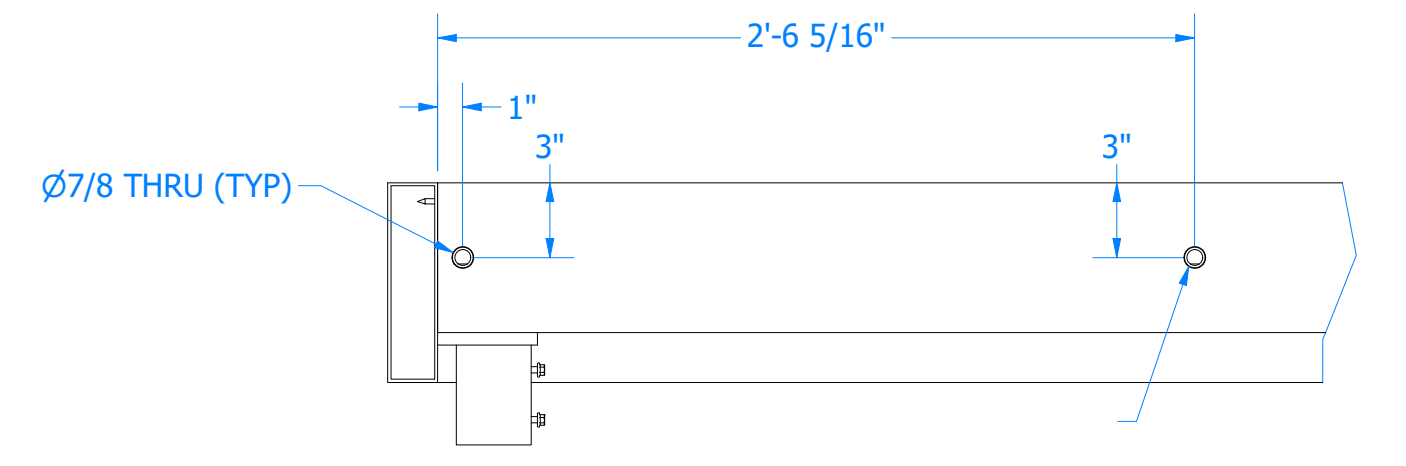
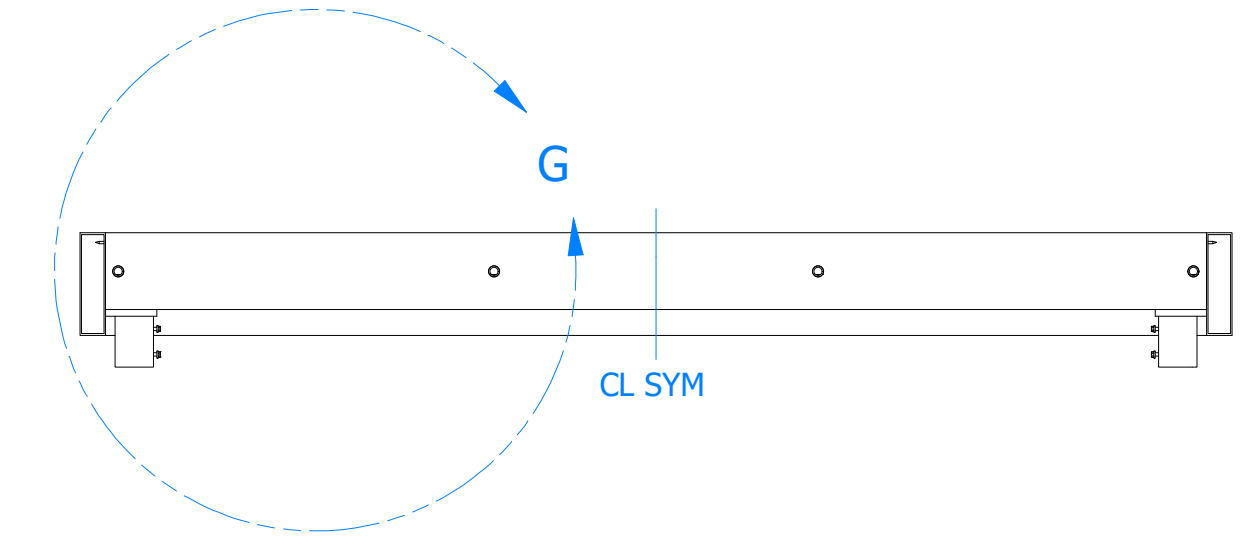
VIEW N-N



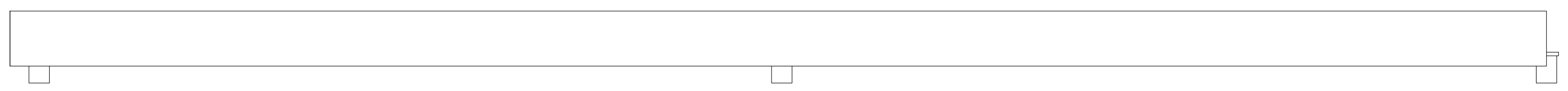
SECTION J-J  
OMIT ON TRELLIS HALF 2



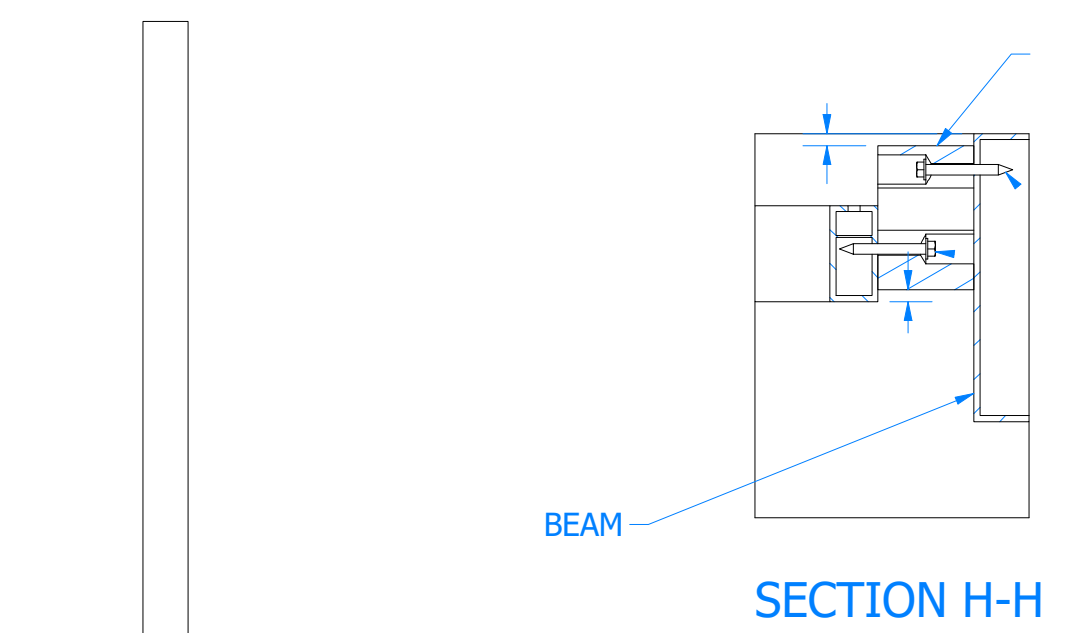
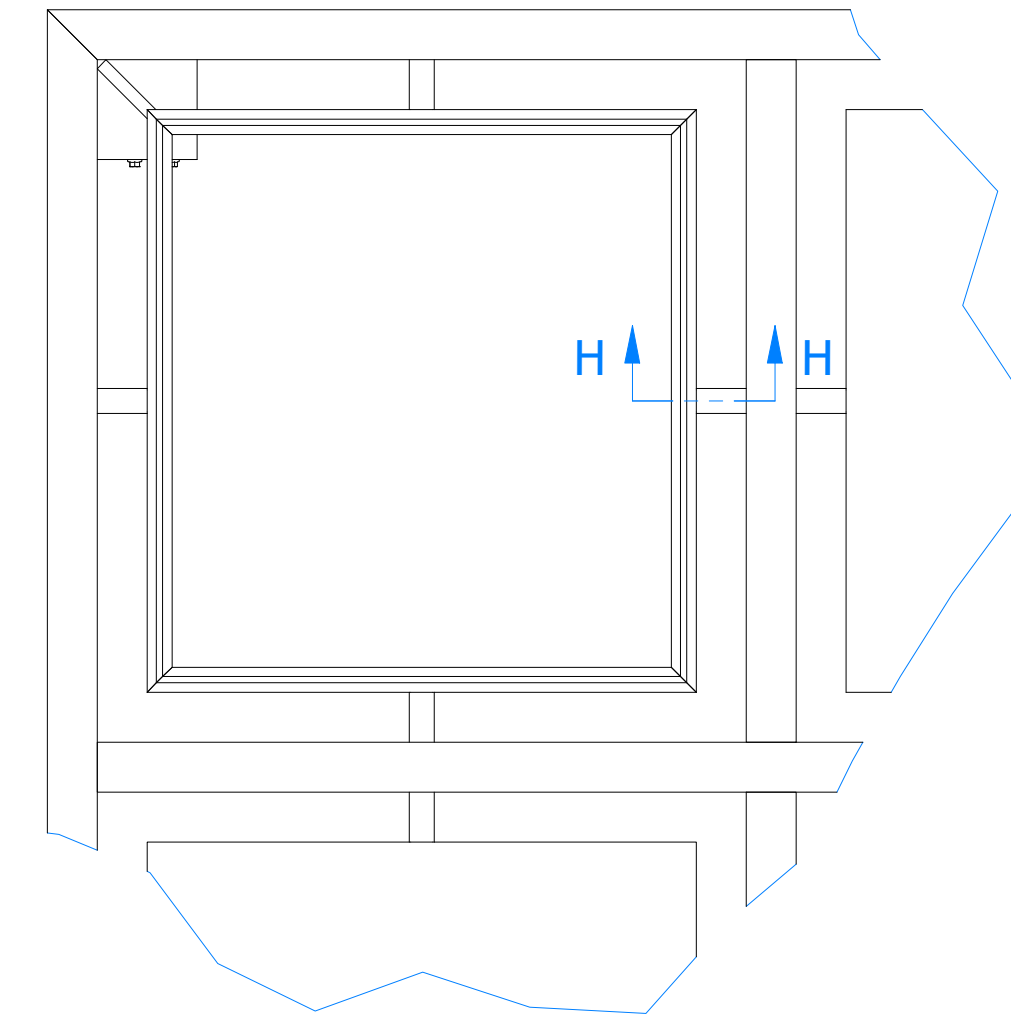
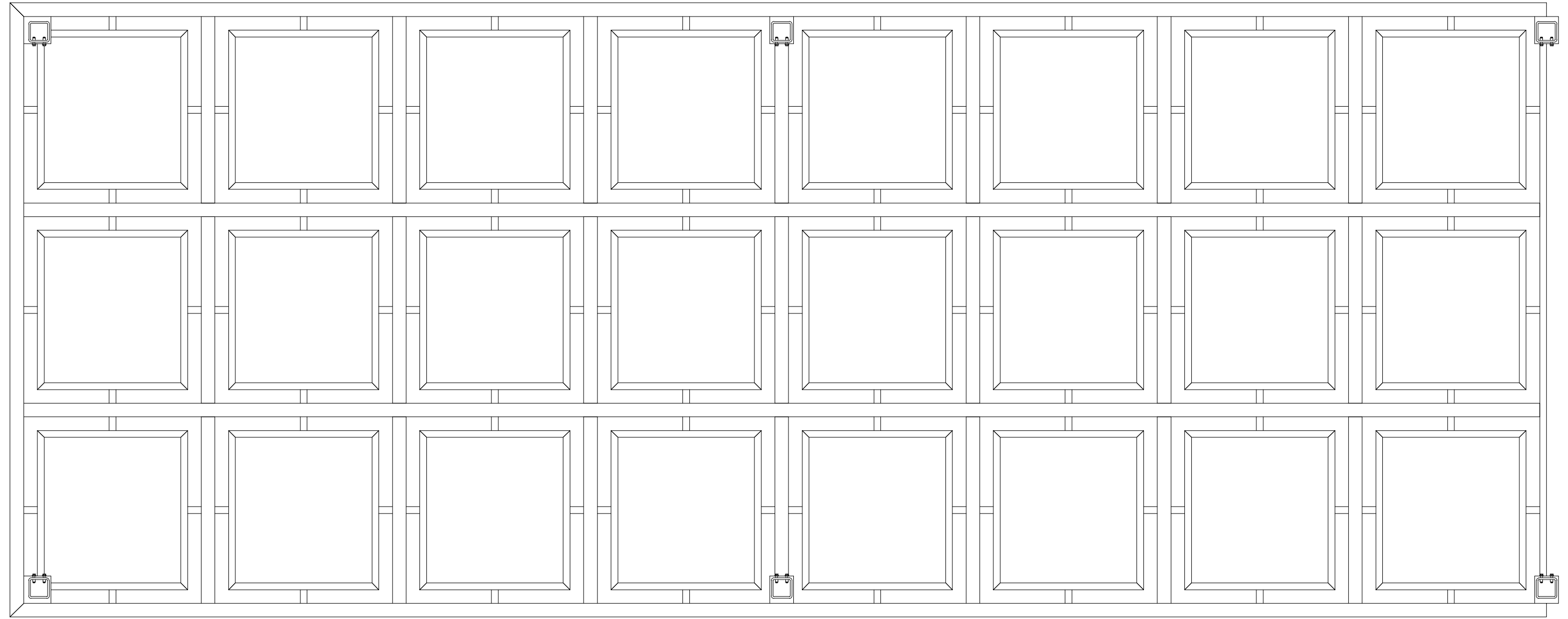
VIEW P-P  
OMIT ON TRELLIS HALF 2



GROUND FLUSH  
DETAIL G



TRELLIS ASSY 1  
TRELLIS ASSY 2 (SAME AS TRELLIS ASSY 1 EXCEPT AS NOTED)



POST ASSY

